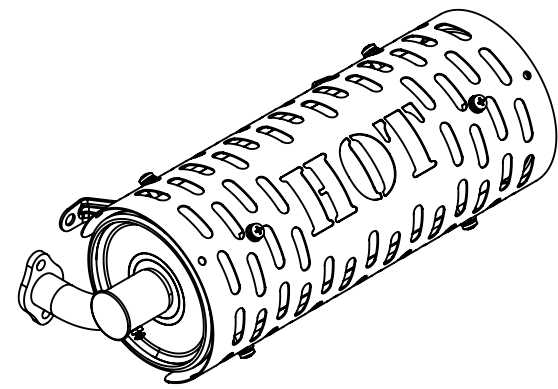
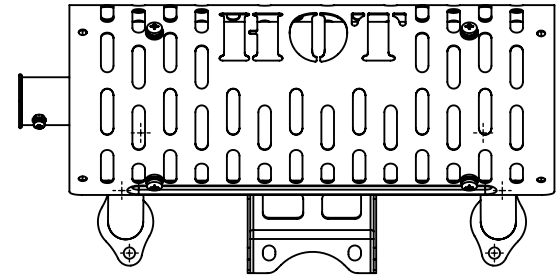
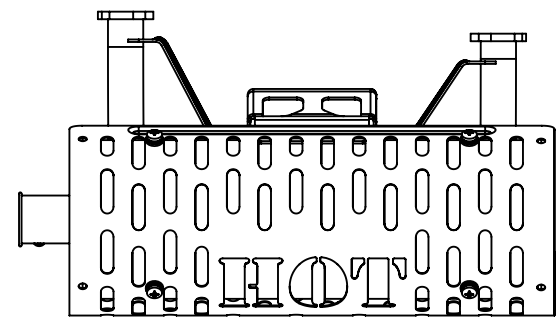
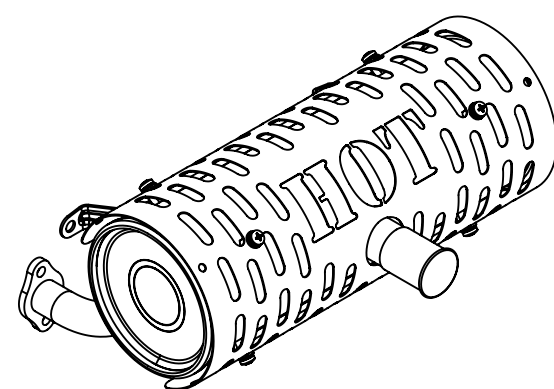
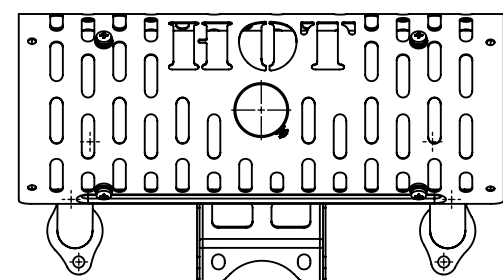
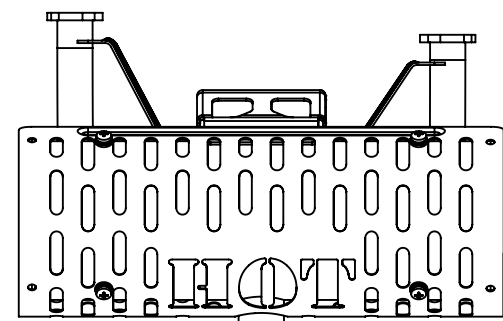


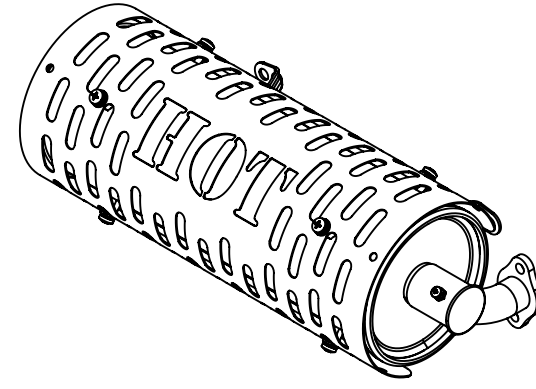
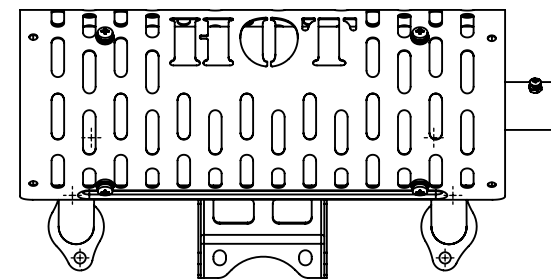
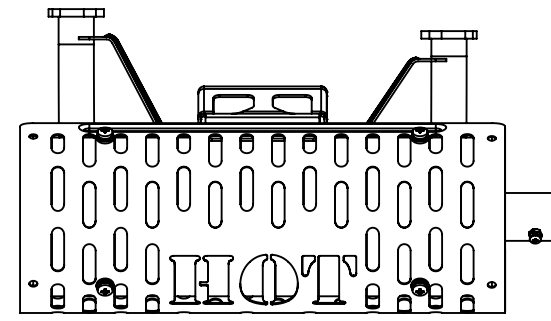
REV	DESCRIPTION	ECN#	BY	CHECK	APPROVE	DATE
A	INITIAL DRAWING RELEASE					



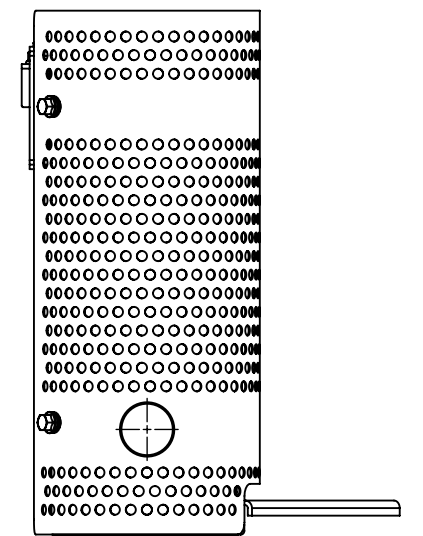
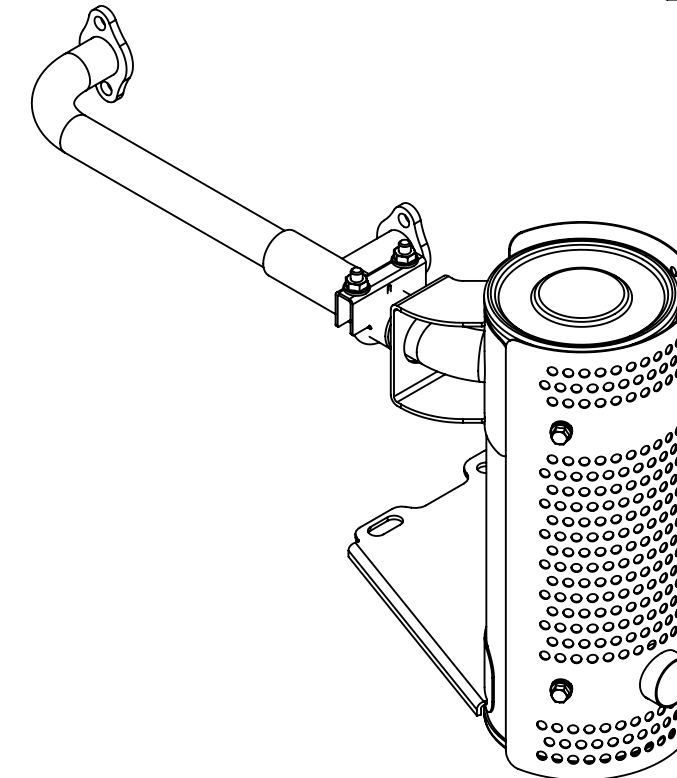
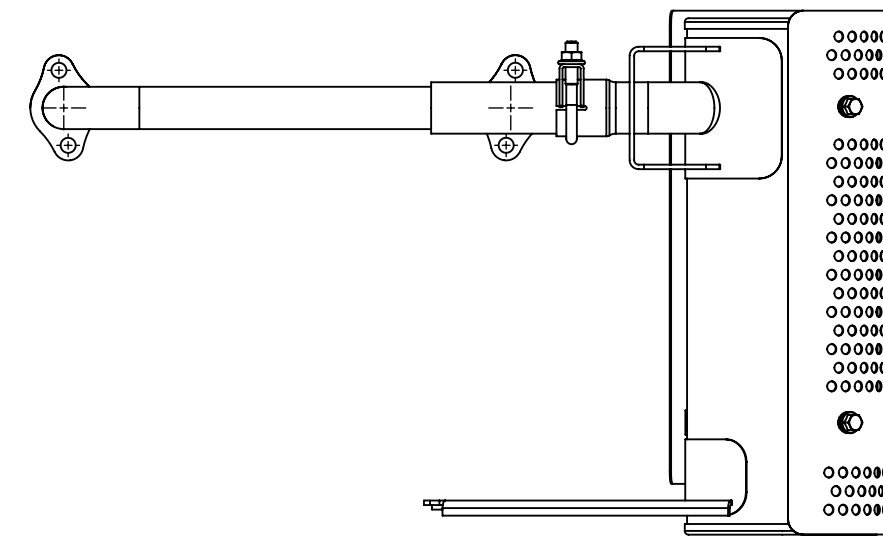
80498
LOW MOUNT STARTER SIDE OUTLET



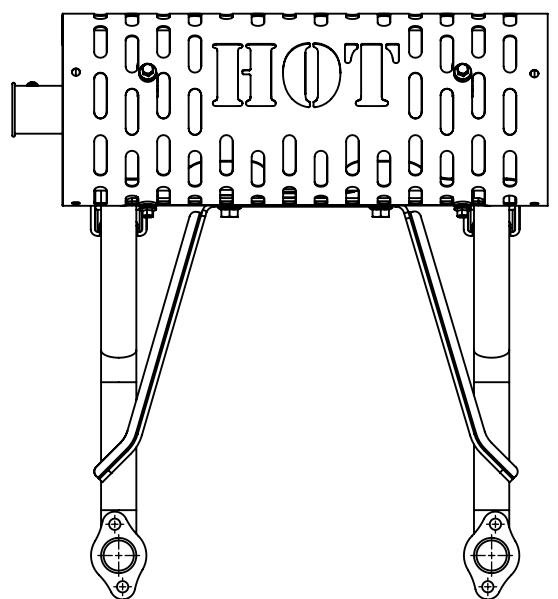
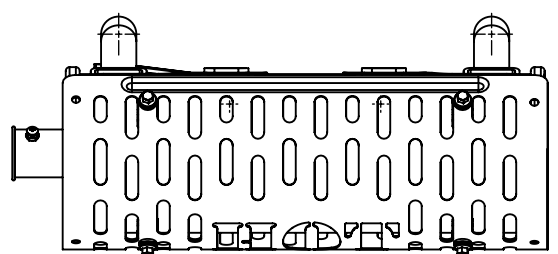
80499
LOW MOUNT CENTER OUTLET



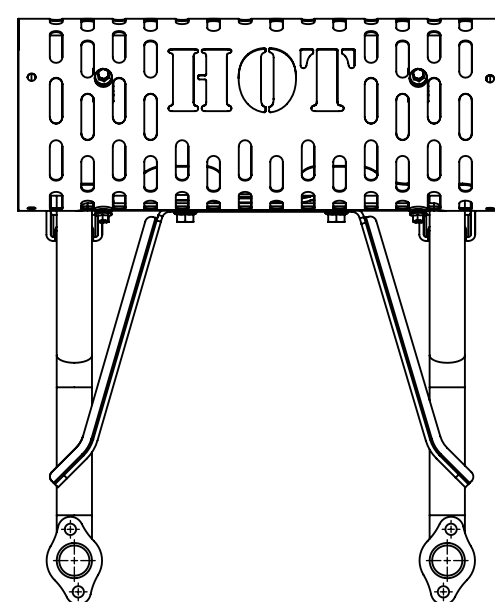
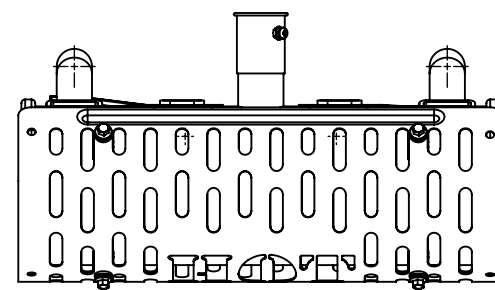
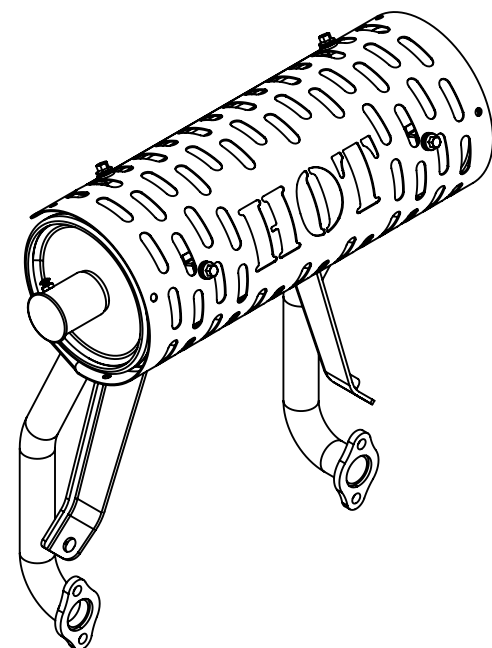
80500
LOW MOUNT OIL FILTER SIDE OUTLET



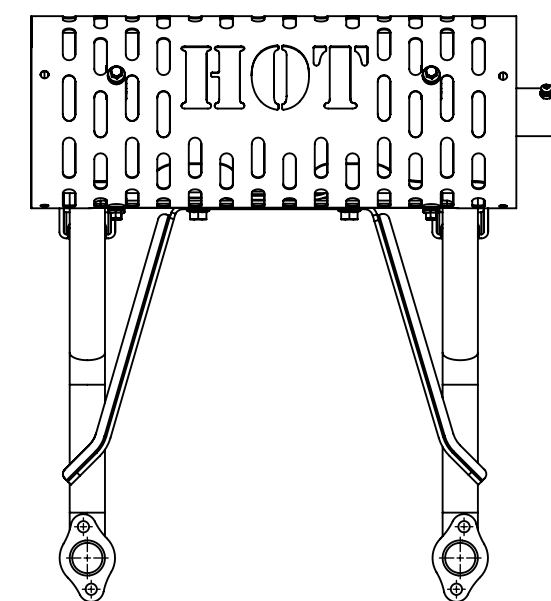
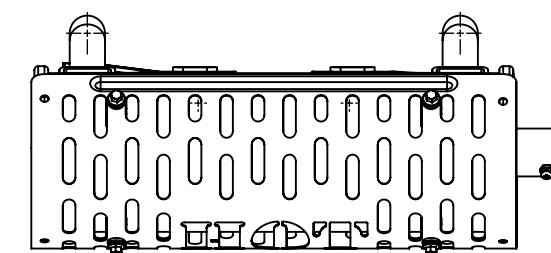
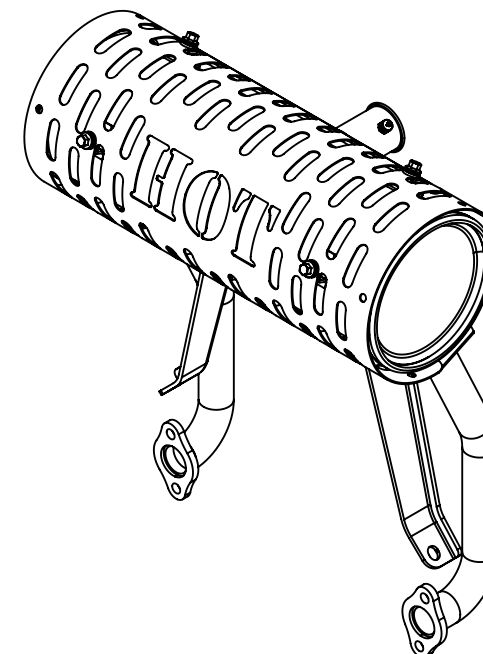
80504
SIDE MOUNT
OIL SIDE OUTLET



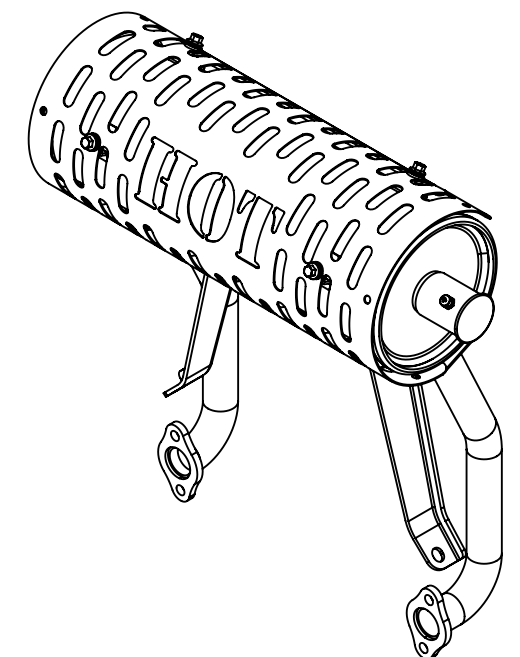
80503
HIGH MOUNT
OIL FILTER SIDE OUTLET



80502
HIGH MOUNT
CENTER OUTLET



80501
HIGH MOUNT
STARTER SIDE OUTLET



NOTE:
1. ALL GASKETS AND REQUIRED HARDWARE INCLUDED WITH EACH MUFFLER CONFIGURATION

THIRD ANGLE PROJECTION

UNLESS OTHERWISE SPECIFIED:
DIMENSIONS ARE IN MM TOLERANCES:
.X ± 2.5
.X ± 0.76
.XX ± 0.25

ANGULAR: ± 1° BEND: ± 1°

ALL MACHINED SURFACES: 3.2

INTERPRET GEOMETRIC TOLERANCING PER LATEST: ASME Y14.5M

DO NOT SCALE DRAWING

FNA-GROUP
7152 99th Street,
Pleasant Prairie, WI 53158

PROPRIETARY AND CONFIDENTIAL
THE INFORMATION CONTAINED IN THIS DRAWING IS THE SOLE PROPERTY OF FNA-GROUP. ANY REPRODUCTION IN PART OR AS A WHOLE WITHOUT THE WRITTEN PERMISSION OF FNA-GROUP IS PROHIBITED.

WEIGHT
MATERIAL: MULTIPLE

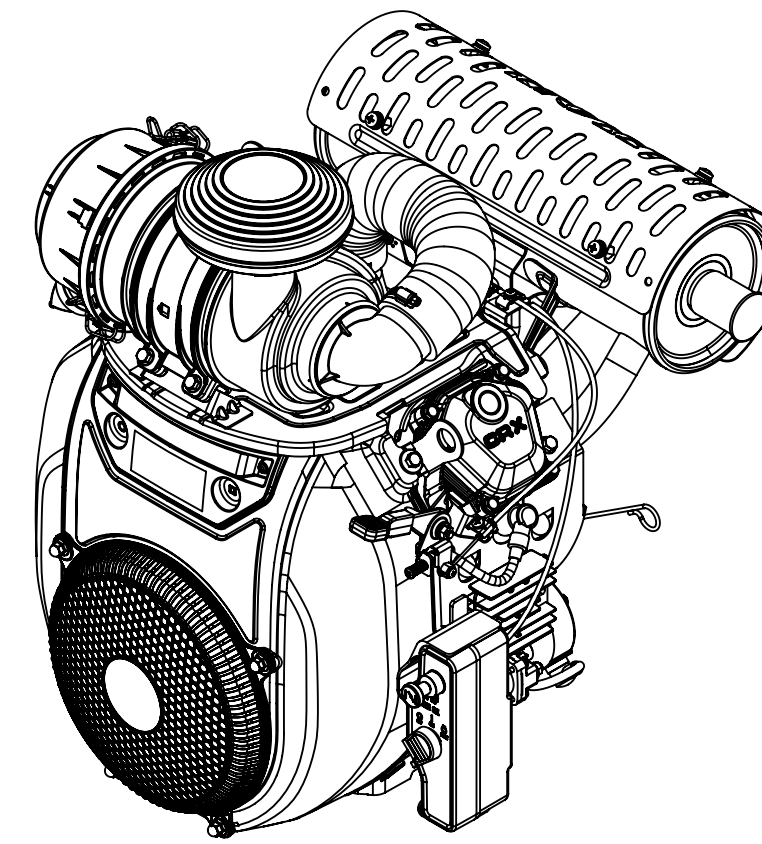
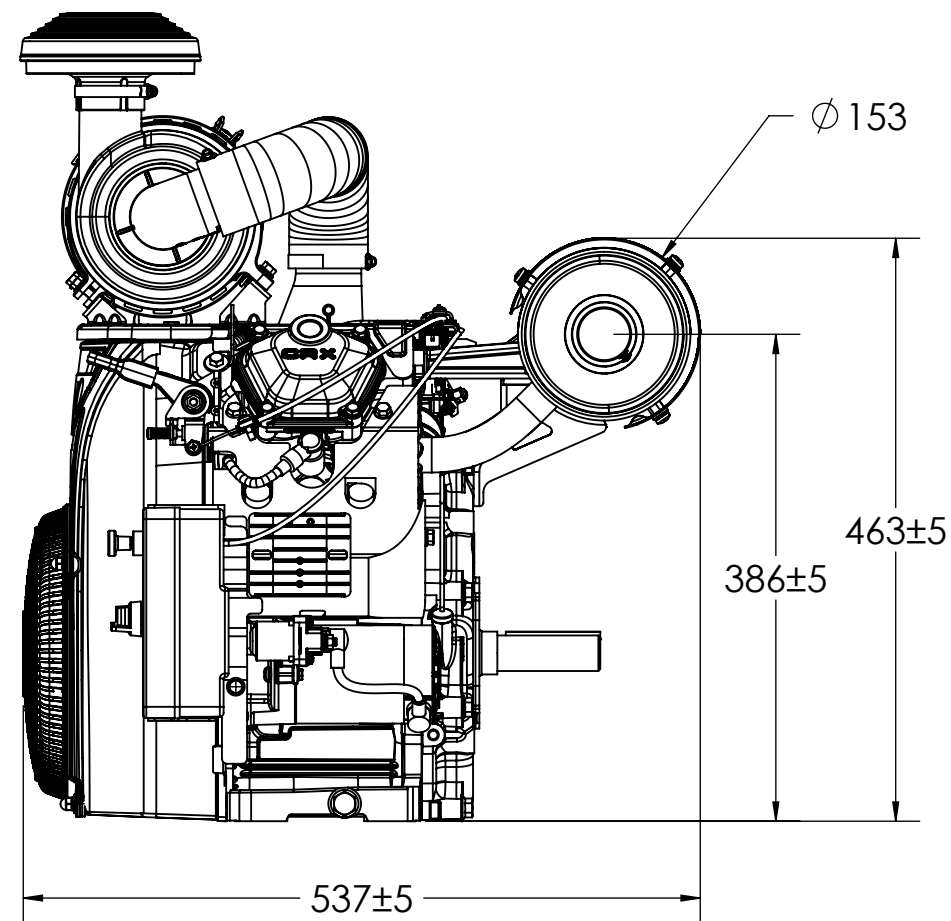
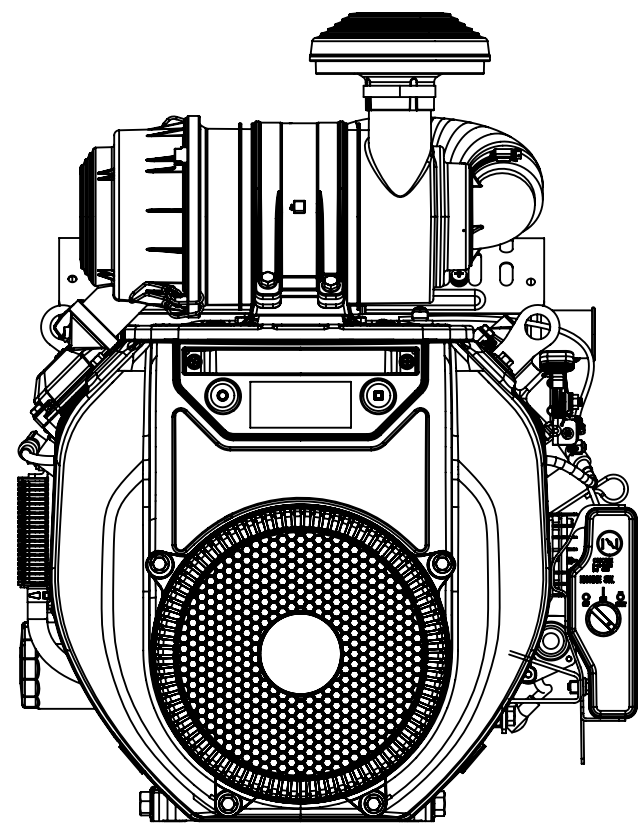
DESCRIPTION:
**CRX680/750 MUFFLER
OPTIONS**

BREAK ALL SHARP EDGES AND REMOVE BURRS

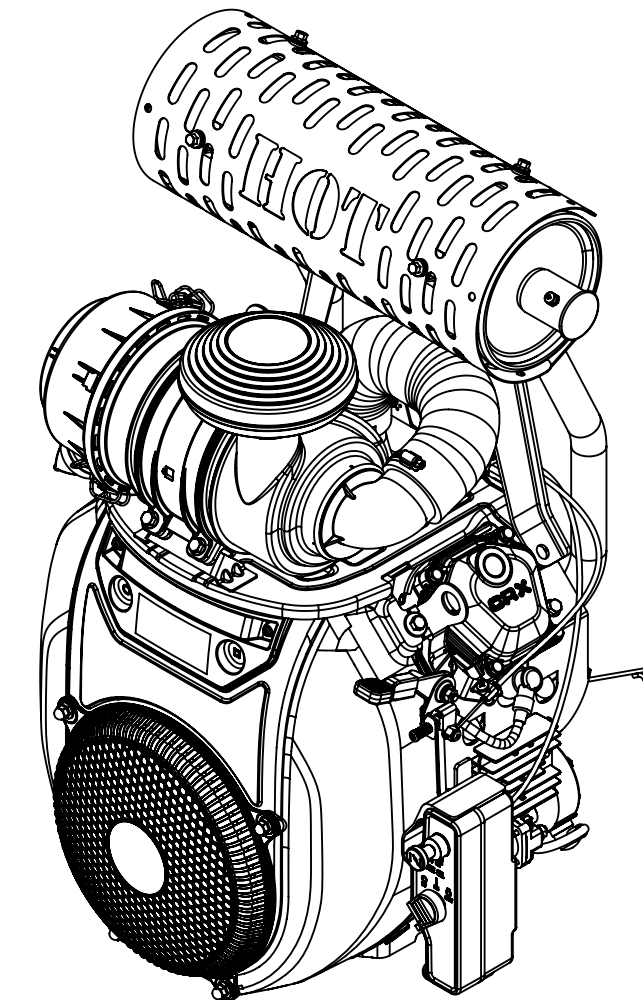
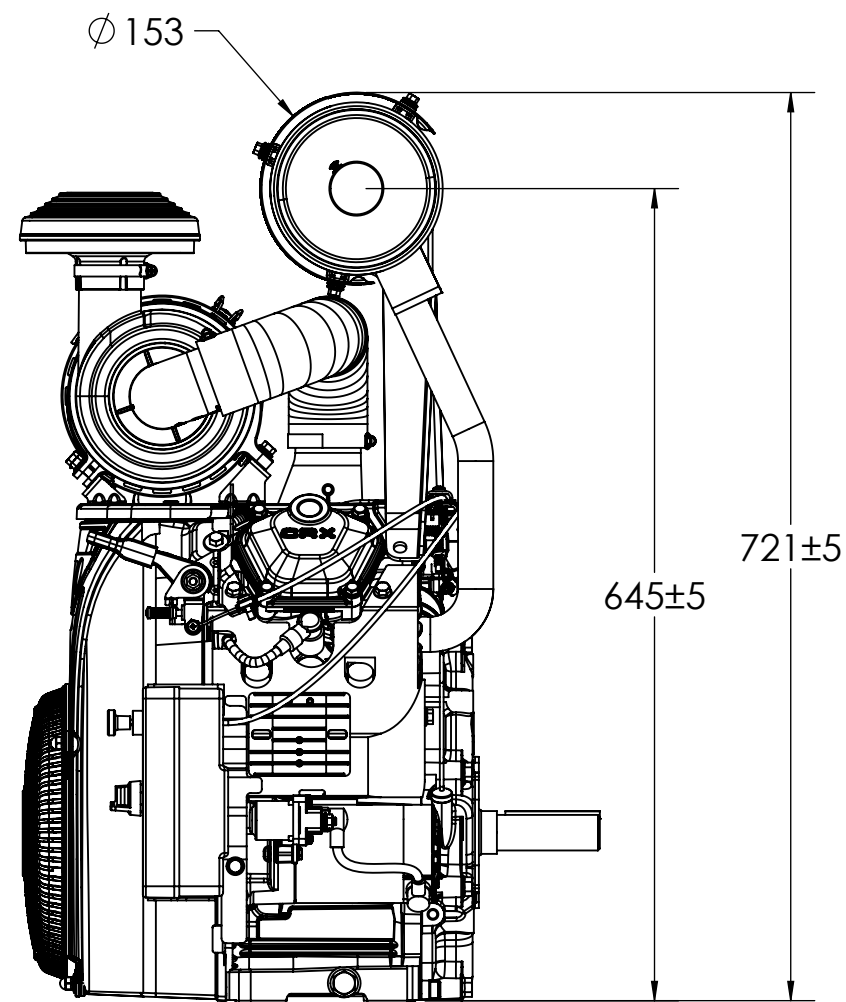
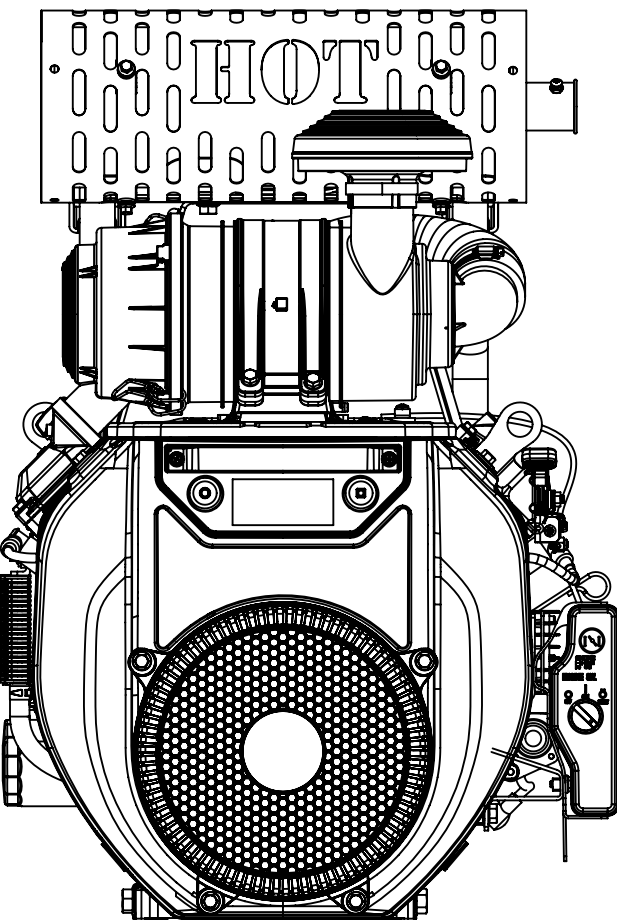
DWG. NO.

REV:
A

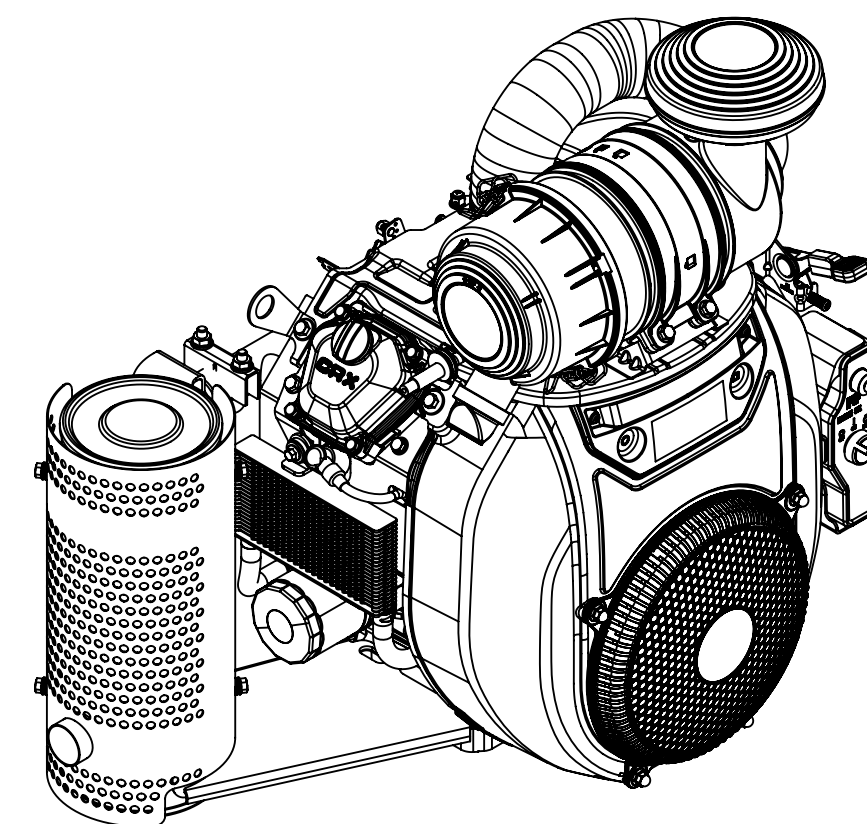
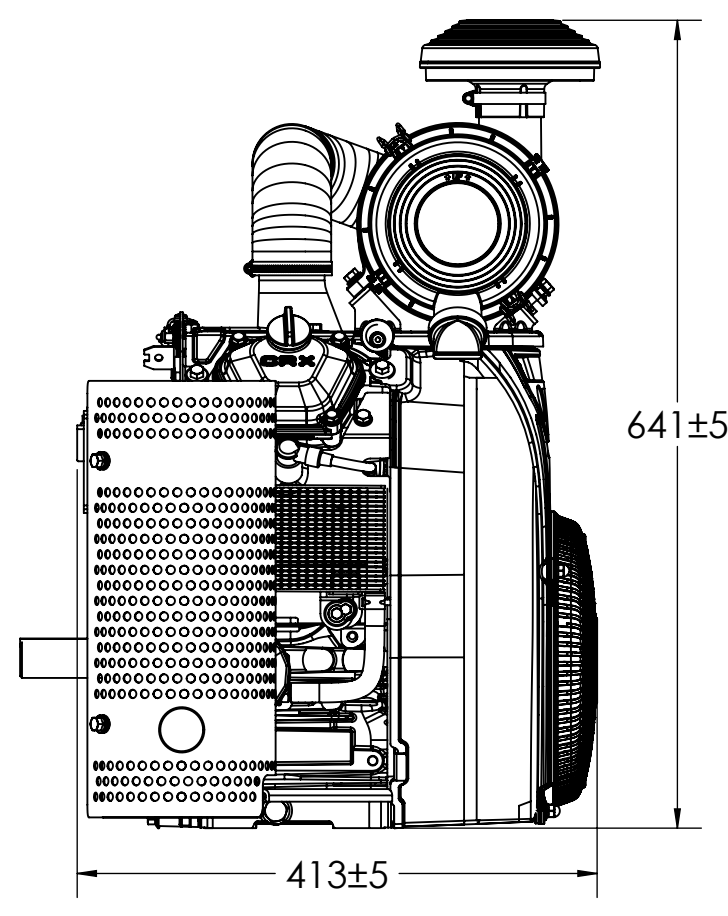
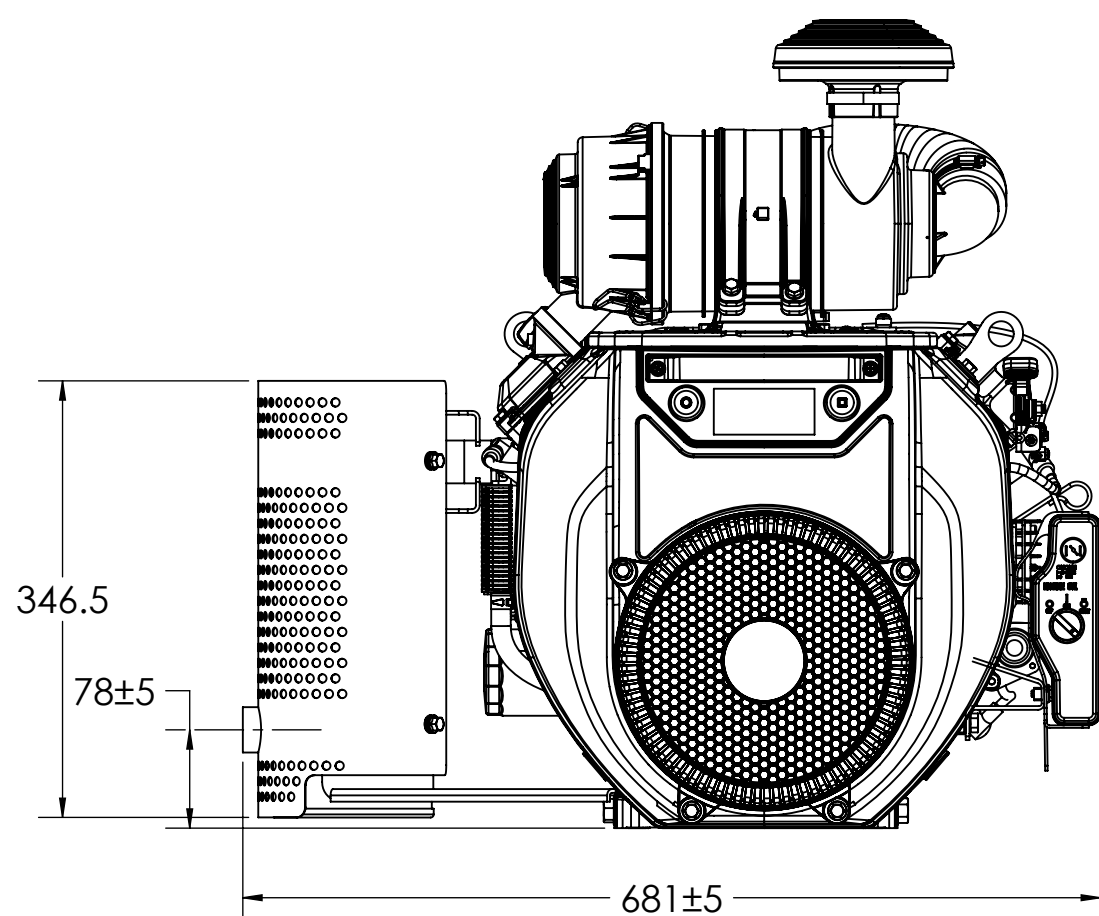
1 OF 2



LOW MOUNT
(STARTER SIDE
OUTLET SHOWN)



HIGH MOUNT
(STARTER SIDE
OUTLET SHOWN)



SIDE MOUNT

DWG. NO.
CRX680/750 MUFFLER
OPTIONS
WEIGHT:

REV:
A
2 OF 2